

# Black Steel Blind Flange **Table H**

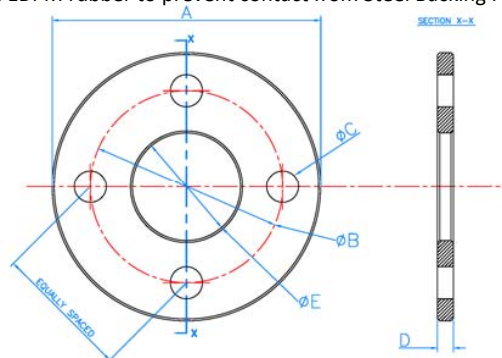
<u>SIZE</u> (mm)	<u>CODE</u>	<u>WORKING PRESSURE</u> kPa (Atmospheric)	<u>Max Hydrostatic</u> <u>Test Pressure</u>	<u>Material</u>
15	STH015B	3,500	5,250	15
20	STH020B	3,500	5,250	20
25	STH025B	3,500	5,250	25
32	STH032B	3,500	5,250	32
40	STH040B	3,500	5,250	40
50	STH050B	3,500	5,250	50
65	STH065B	3,500	5,250	65
80	STH080B	3,500	5,250	80
100	STH100B	3,500	5,250	100
125	STH125B	3,500	5,250	125
150	STH150B	3,500	5,250	150
200	STH200B	3,500	5,250	200
250	STH250B	3,500	5,250	250

\*In accordance with AS2129

### Flange Dimensions

<u>SIZE</u> (mm)	<u>Number of</u> <u>Holes</u>	<u>Flange Diameter</u>	<u>Pitch Circle</u>	<u>Bolt Hole</u>	<u>Flange</u>
		(mm)	<u>Diameter</u>	<u>Diameter</u>	<u>Thickness</u>
		<b>A</b>	<b>B</b>	<b>C</b>	<b>D</b>
15	4	115	83	18	13
20	4	115	83	18	13
25	4	120	87	18	14
32	4	135	98	18	17
40	4	140	105	18	17
50	4	165	127	18	19
65	8	185	146	18	19
80	8	205	165	18	22
100	8	230	191	18	25
125	8	280	235	22	29
150	12	305	260	22	29
200	12	370	324	22	32
250	12	430	381	26	35

- CTS Copper Capillary Socket Fittings manufactured in accordance with AS 3688
- Adapters meet requirements of a maximum operating pressure of 1.4MPa where working temperature does not exceed 95°C
- Electrolysis Insulator made from EDPM rubber to prevent contact from Steel Backing Flange and Copper Adapter



For Commercial, Institutional or Industrial Applications